

Serie 8921 - 503 / 5030
8922 - 503 / 5030
8930 - 503 / 5030
8931 - 503 / 5030
8932 - 503 / 5030



Serie 8821-5035
8830-5035
8831-5035



C+P Möbelsysteme GmbH & Co. KG
Boxbachstraße 1
D-35236 Breidenbach (Germany)

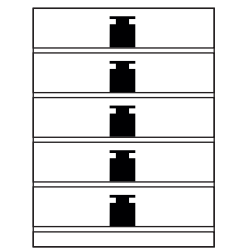
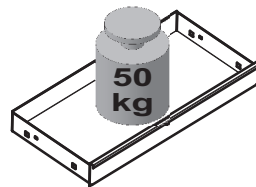
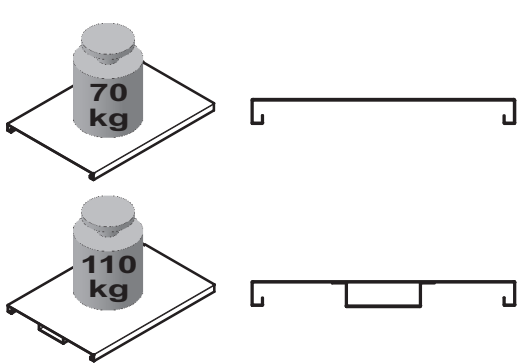
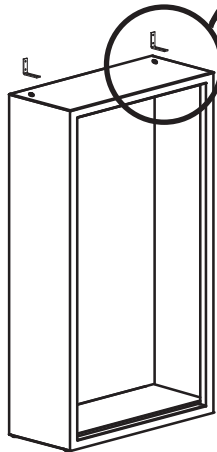
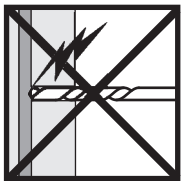
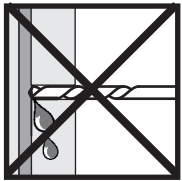
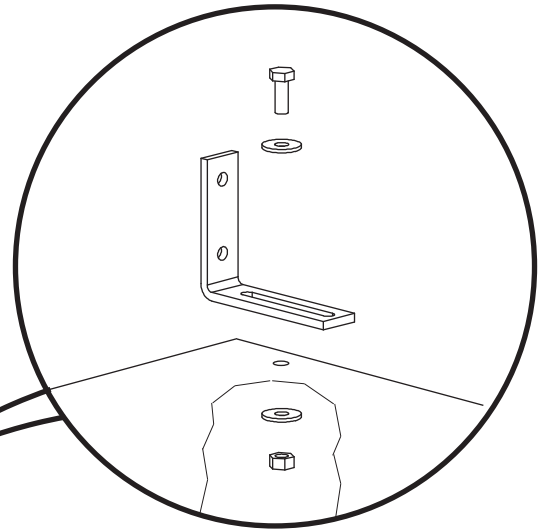
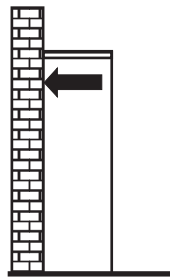


www.cp.de

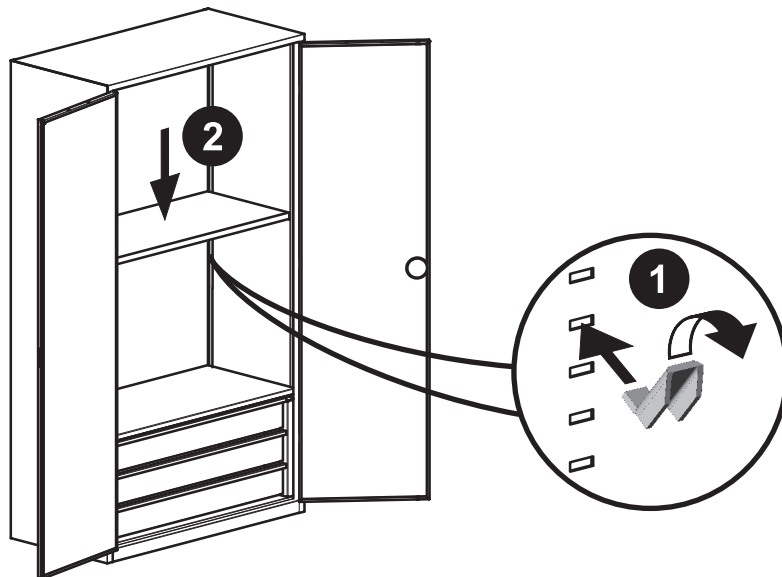
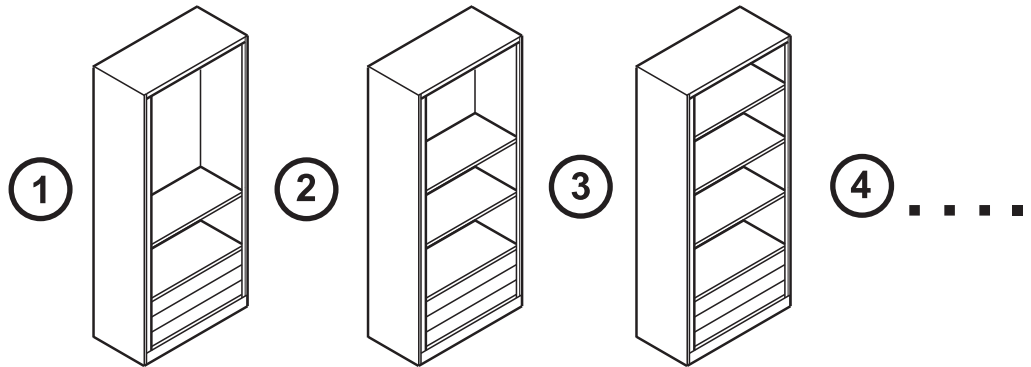
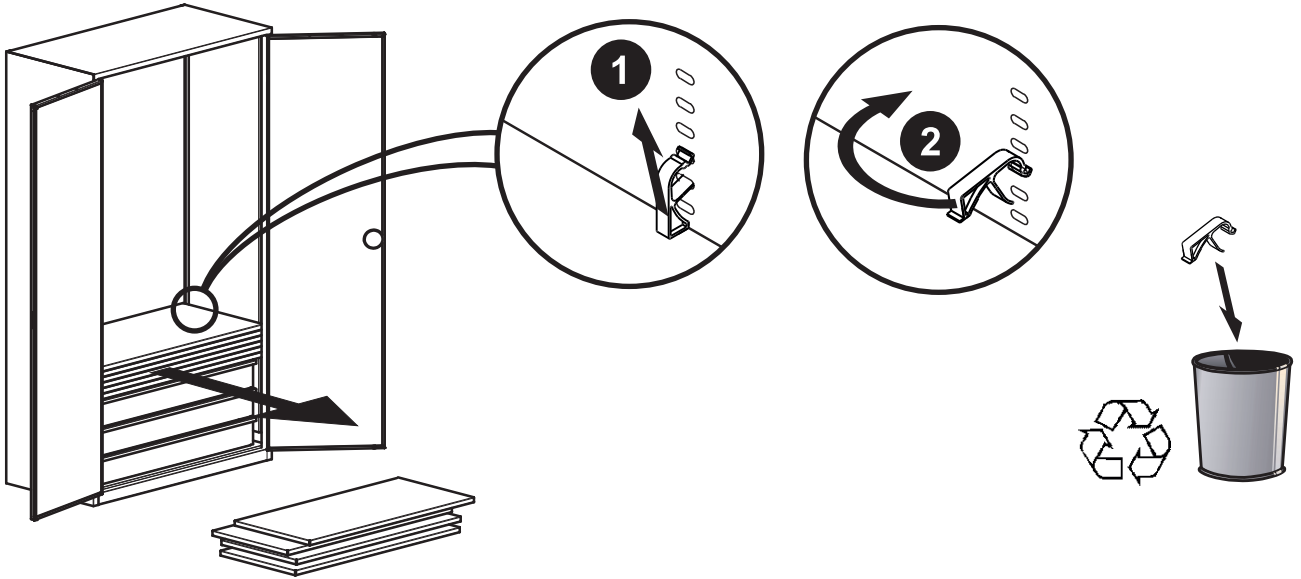


443910 / 2021-02-16

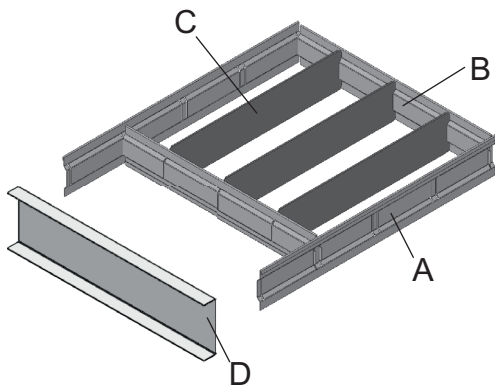
| | | | | | | | | | |
|--|--|----|--|----|--|-------|--|--|--|
| | | A | | B | | C | | | |
| | | 2x | | 2x | | 4x | | | |
| | | | | 2x | | SW 10 | | | |



$\Sigma = 450 \text{ kg}$

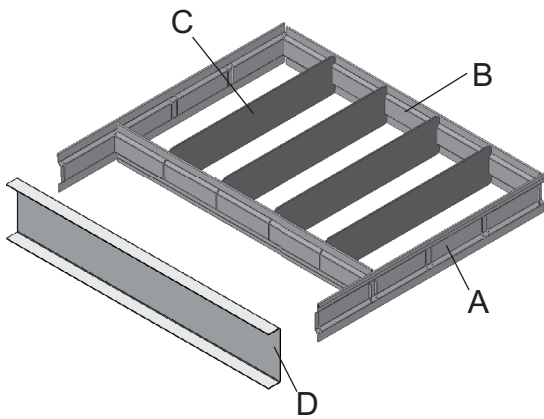


Serie 8921-37xx, 8931-37xx



No. 8921-3716

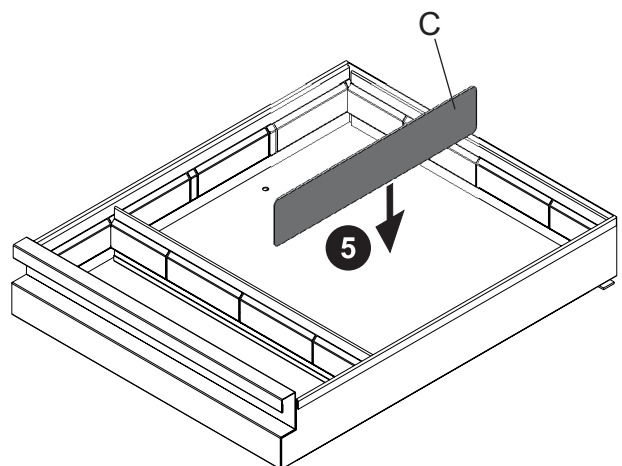
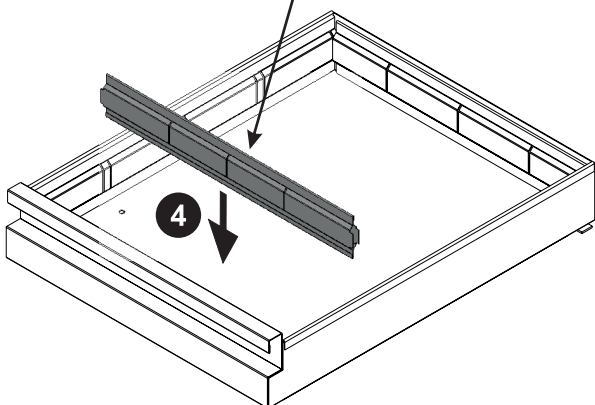
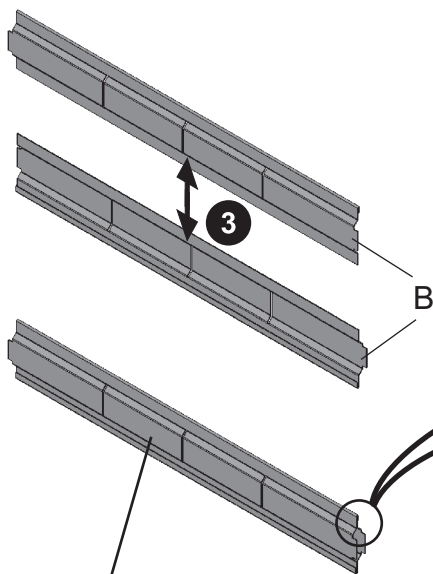
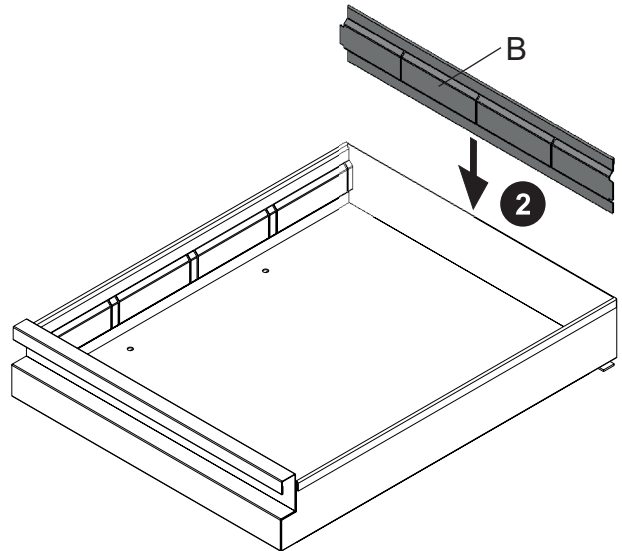
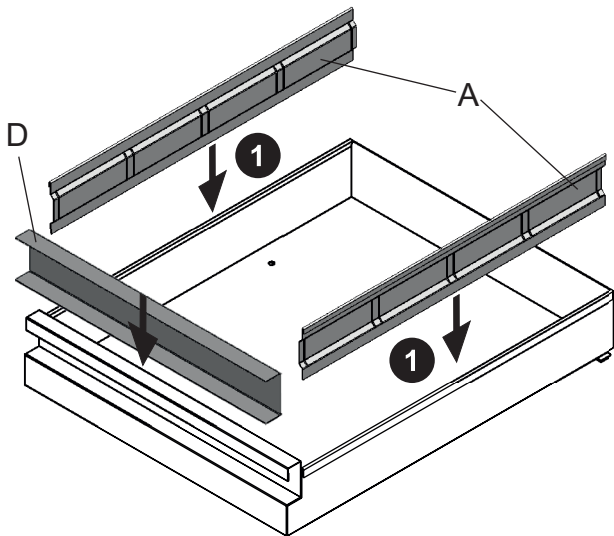
| | | | | | |
|----|--|----|--|----|--|
| A | | B | | C | |
| 2x | | 3x | | 3x | |
| D | | | | | |
| 1x | | | | | |



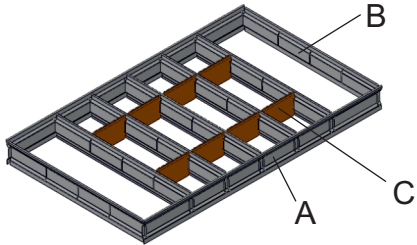
No. 8931-3716

| | | | | | |
|----|--|----|--|----|--|
| A | | B | | C | |
| 2x | | 3x | | 4x | |
| D | | | | | |
| 1x | | | | | |

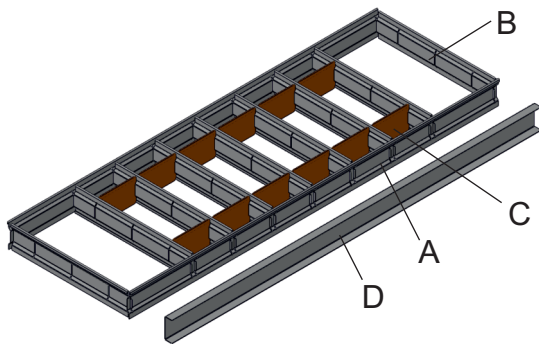
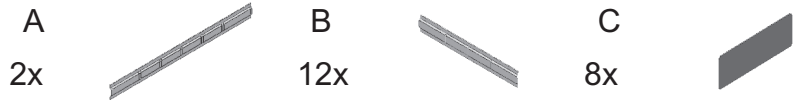
Serie 8921-37xx, 8931-37xx



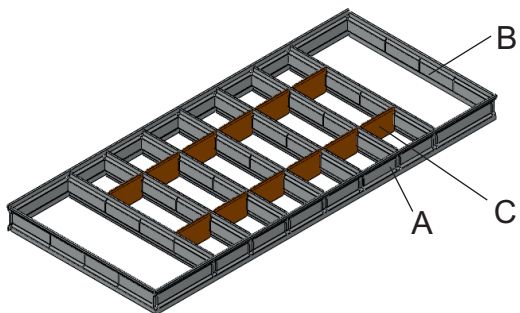
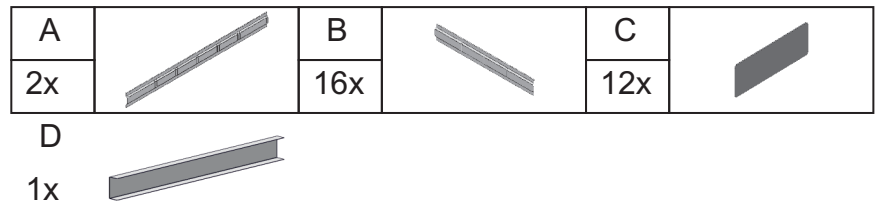
Serie 8921-57xx, 8930-57xx, 8931-57xx



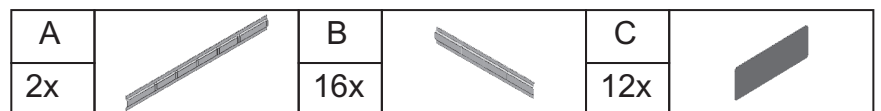
No. 8921-5718



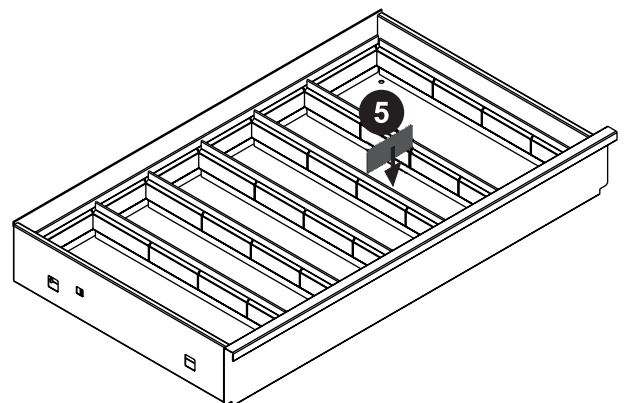
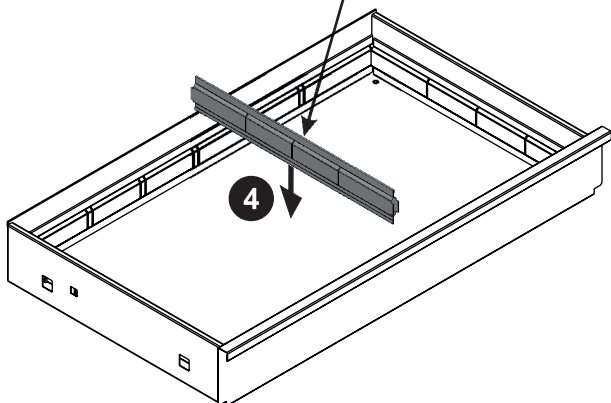
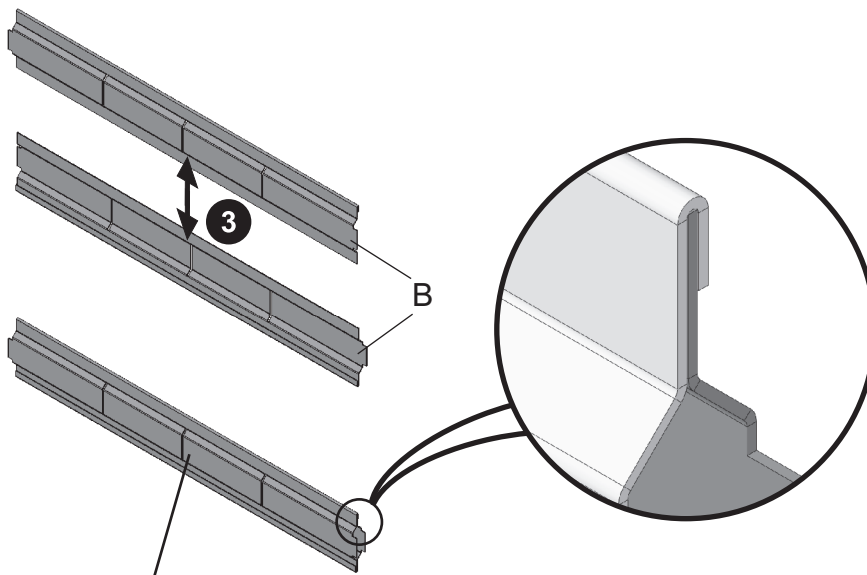
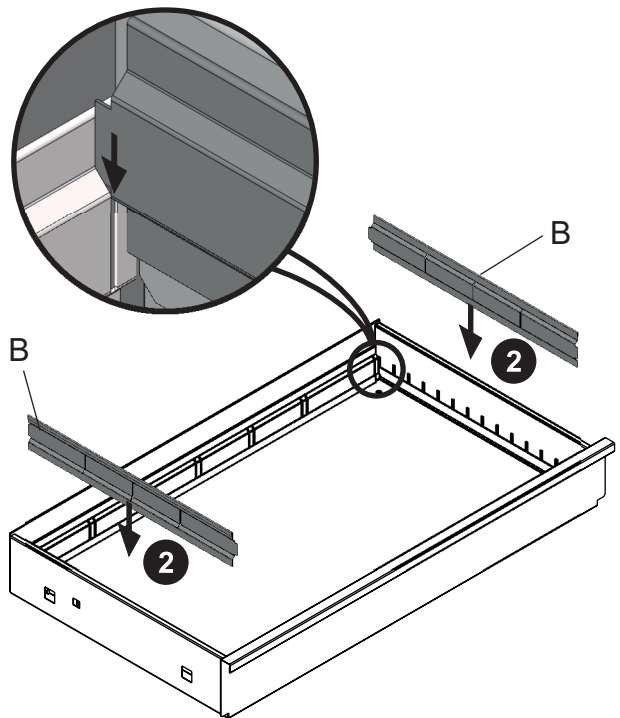
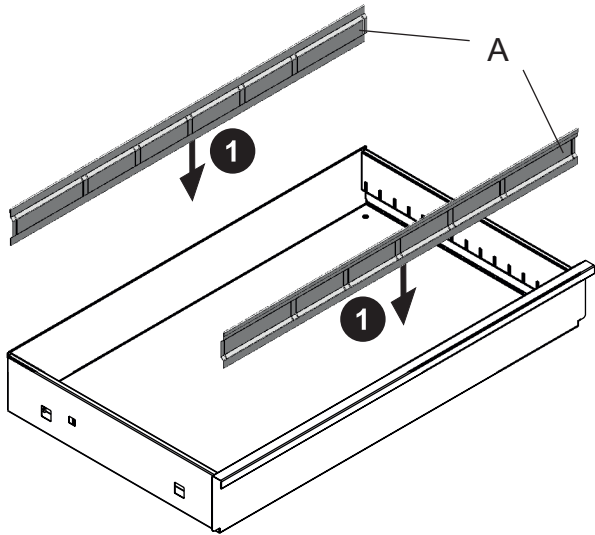
No. 8930-5718

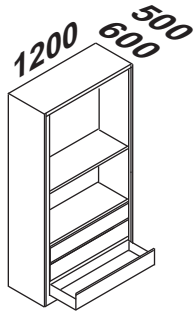
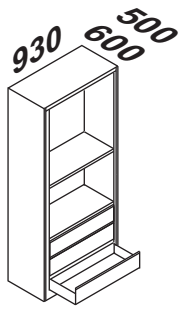


No. 8931-5718



Serie 8921-57xx, 8930-57xx, 8931-57xx

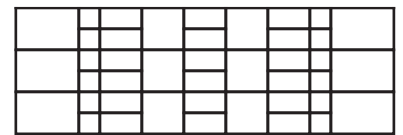
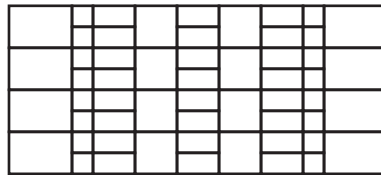
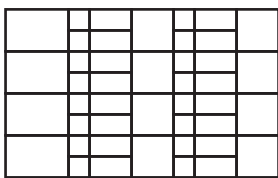
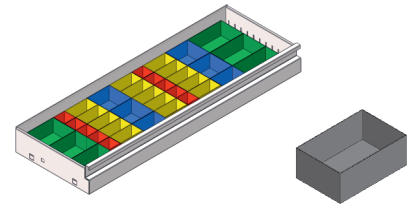
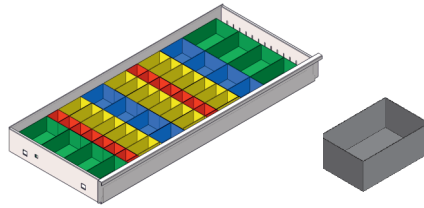
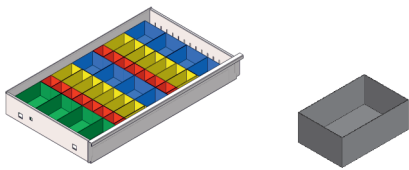




No. 8921-5713

No. 8931-5713

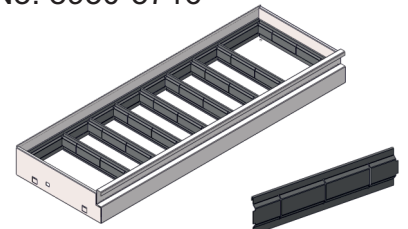
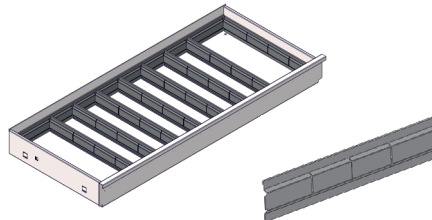
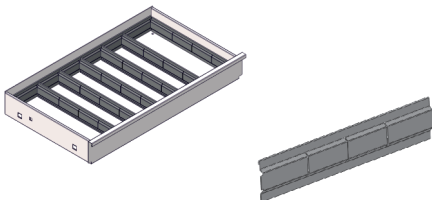
No. 8930-5713



No. 8921-5716

No. 8931-5716

No. 8930-5716



No. 8921-5701

No. 8931-5701

No. 8930-5701

